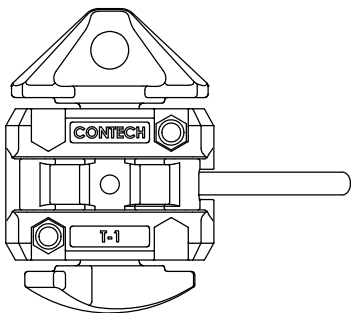


T-1/L: Left locking (as drawn)
T-1/R: Right locking (mirror inverted)



n	17/05/19	DDC	Page 2 added							
m	25/09/18	DDC	Dimension of top cone updated							
Mod.	Date	Check	Description							
Scale	1:3	Strength (kN):		Weight	4.65 kg	Material	Steel	Finish	Galvanised	
 Drawing Size A4		Tension	Shear	Compr.						
	MSL	250	210							
	PL	313	263							
	BL	500	420							
Description								Project		
Twistlock (3-position)										
Drawn	DDC	Check	TVP	Reference no.	T-1		Page	1	Mod.	n
	12/12/17		12/12/17							