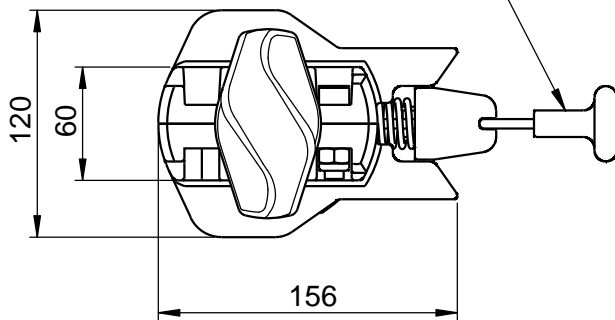
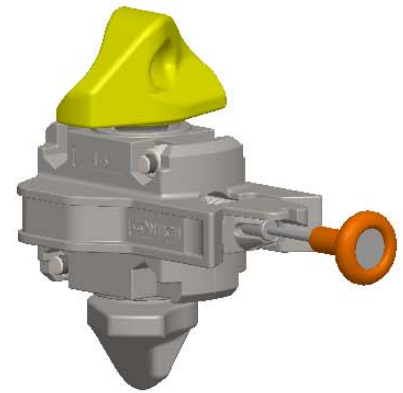


Handle: Flexible stainless steel wire with plastic cap



TWISTLOCK LOCKED



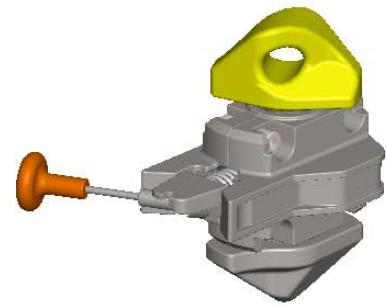
(BOTTOM CONE LOCKED)
TOP CONE OPEN
POSITION WITH
HANDLE UP

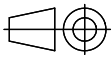


(TOP CONE LOCKED)
BOTTOM CONE OPEN
POSITION WITH
HANDLE DOWN



(TOP CONE LOCKED)
BOTTOM CONE OPEN
POSITION WITH
HANDLE LEFT



o	14/08/18	DDC	Dimension added to top view			
n	28/06/18	DDC	PL-value changed			
Mod.	Date	Check	Description			
Scale	1:4	Strength (kN):		Weight	5.60 kg	
		Tension	Shear	Compr.	Material	
	MSL	250	210			Finish Galvanised
	Drawing Size	PL	313	263		
	A4	BL	500	420		
Description					Project	
Semi automatic twistlock						
Drawn	Canters E 15/01/97	Check	Canters E 19/06/00	Reference no.	T-5	
				Page	1	
				Mod.	0	